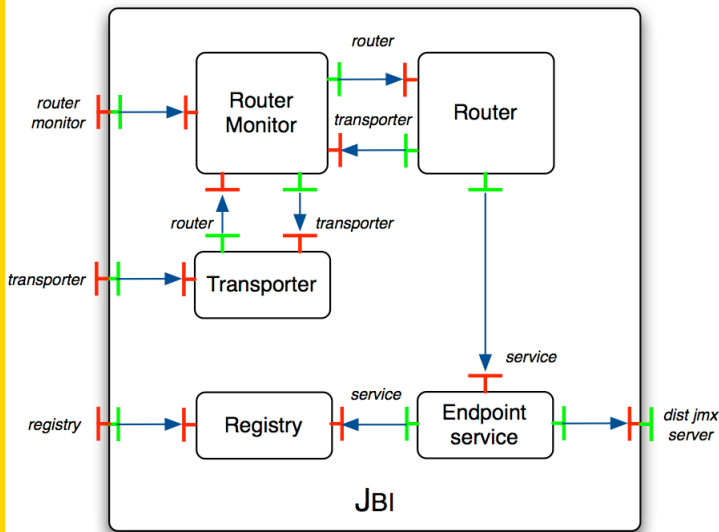


Context and Objectives

- Develop an Open Source ESB Platform
- Provide integrators with an extensible JBI-based ESB to build custom integration solutions
- Enrich the OW2 (<http://www.ow2.org>) Open Source platform with SOA infrastructure components

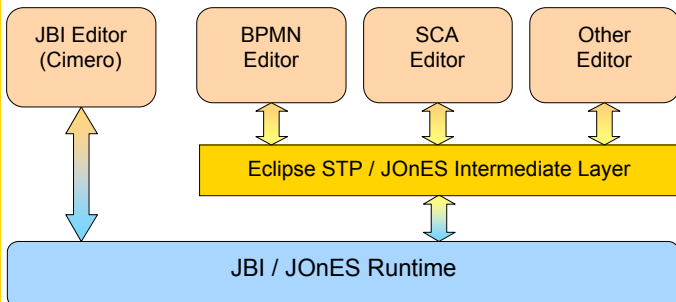
Component-Based Architecture



- A distributed and component-based approach
- FRACTAL (<http://fractal.objectweb.org>) platform
- DREAM (<http://dream.objectweb.org>) communication infrastructure
- FDF (<http://fdf.gforge.inria.fr/>) distributed deployment framework

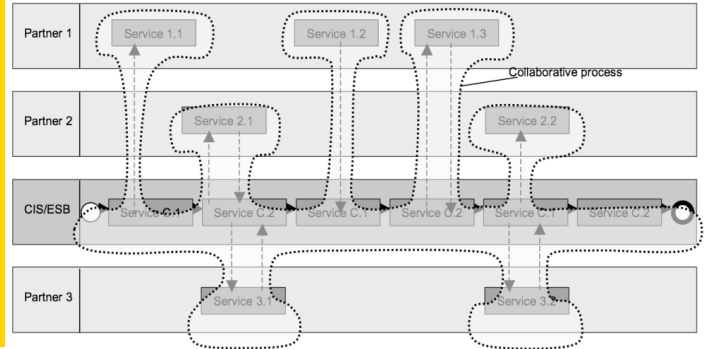
Application-level Integration

- Alignment with SCA (Service Component Architecture)
- SCA for logical SOA specification
- Collaboration with the ANR TL2006 SCOrWare project
- Collaboration with the Eclipse STP project

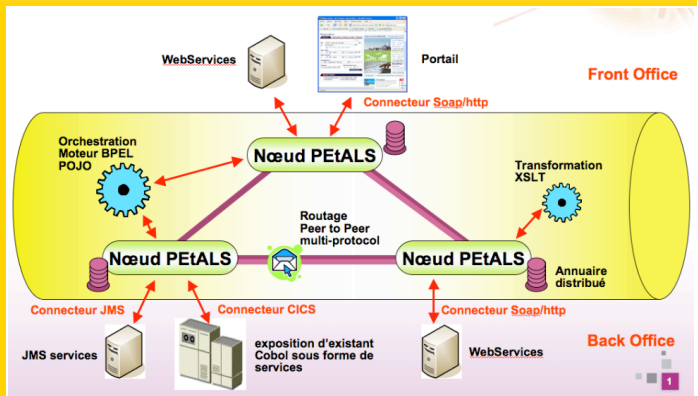


Use Cases

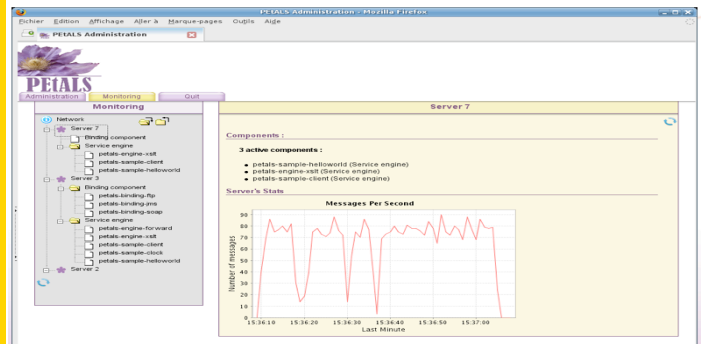
- Consumer-to-traffic management & monitoring (TELCO)
- Enterprise Information Integration
- Inter-enterprise collaborative business processes
- Business services orchestration by using BPEL



Results



- PetALS (<http://petals.objectweb.org>), an industrial grade ESB
- Service Engines and Binding Components:
 - Workflow (Bonita), Orchestration (Orchestra), XML processing (XQuare), EIP-based Routing
 - JMS (Joram), Web Services, SOAP/HTTP, ebXML
- Interfaces with J2EE containers (JOnAS, JBoss)
- Administration console
- Monitoring and management facilities



Project contact : Alain BOULZE, OW @ INRIA, Grenoble Rhône-Alpes
655 avenue de l'Europe - Montbonnot – 38334 Saint-Ismier Cedex - France
(+33 4 76 61 54 65) – alain.boulze@inria.fr
<http://petals.objectweb.org>, <http://esbi.objectweb.org>